

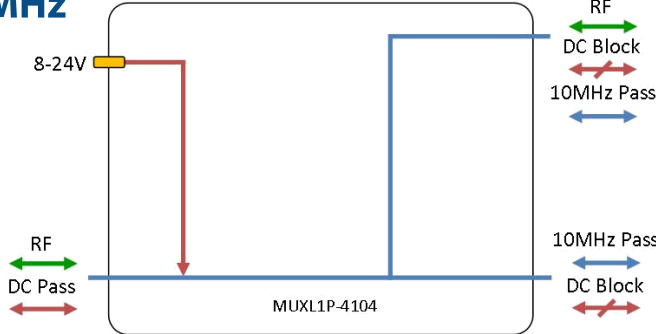


Model Number:  
**MUXL1P-4104**

RF Components

# L-Band Multiplexer

## 850 - 2150 MHz



- Multiplexes L-band and 10MHz onto Port 2
- DC injection onto the Port 1
- 10MHz Input port and Port 2 are DC blocked.

Available with RF connector options:

- 50 Ω SMA
- 50 Ω N-type
- 50 Ω BNC
- 75 Ω BNC
- 75 Ω F-type.



**850-2150 MHz**  
operating frequency range. L-Band ready



**Compact**  
housed in rugged compact enclosure



**Flexible Mounting**  
Tapped screw & through hole mounting options

RF Parameters					
MUXL1P-4104-XXXXXX	S5S5S5	N5N5N5	B5B5B5	B7B7B7	F7F7F7
Frequency Range	850-2150 MHz				
RF Connectors	50Ω SMA	50Ω N-Type	50Ω BNC	75Ω BNC	75Ω F-Type
<b>Common Port:</b>	-	-	-	-	-
Mean Insertion Loss (dB)	≤ 0.4	≤ 0.4	≤ 0.5	≤ 0.5	≤ 0.6
Flatness ± (dB)	0.2	0.2	0.3	0.4	0.5
Return Loss (dB)	20	18	16	12	12
	15	14	12	8	8
<b>L-Band Port :</b>	-	-	-	-	-
Return Loss (dB)	20	18	16	12	12
	15	14	12	8	8
<b>10MHz :</b>	-	-	-	-	-
Mean Insertion Loss (dB)	≤ 0.3	≤ 0.4	≤ 0.5	≤ 0.5	≤ 0.6
Isolation (dB)	20	20	18	18	18

### Broadcast



### Marine Oil & Gas



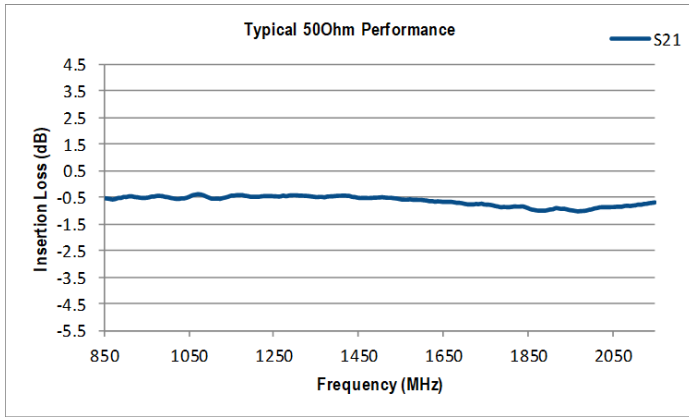
### SNG & VSAT



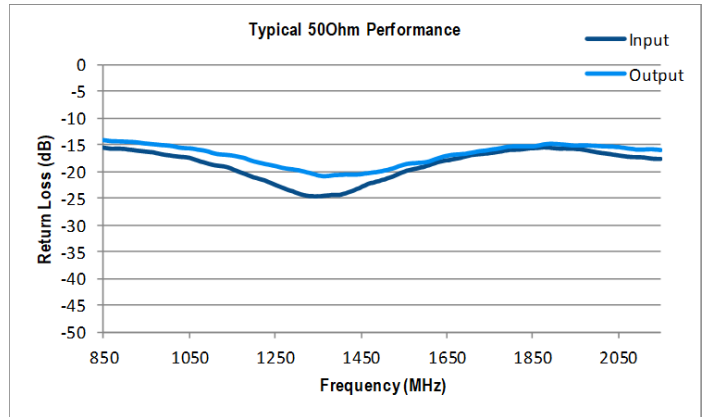
### Satellite Teleport



Technical specifications and operating parameters



Insertion Loss (dB)



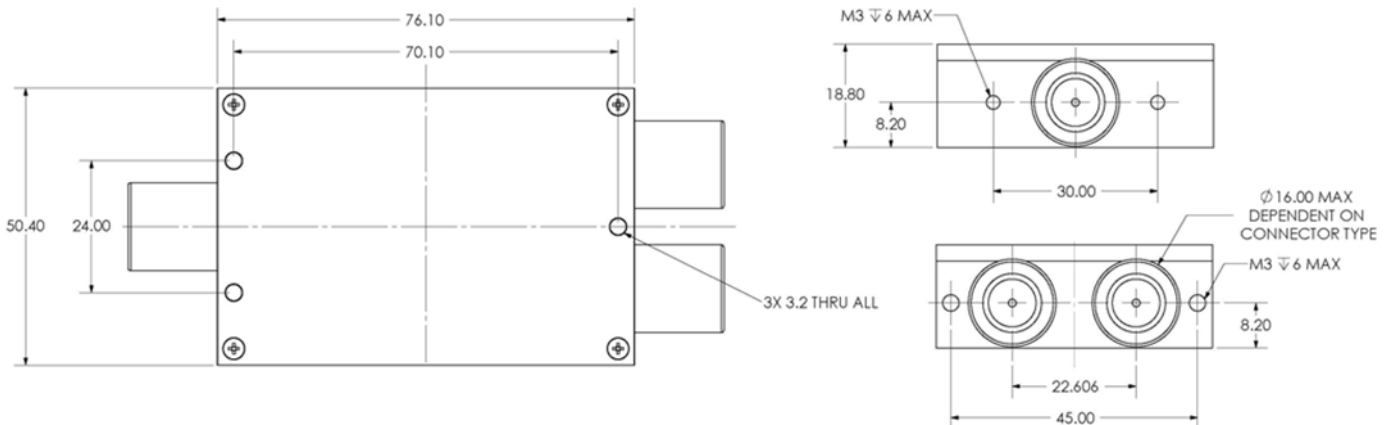
Return Loss (dB)

Environmental	
Operating Temperature	0°C to 45°C
Storage Temperature	-20°C to +85°C
Location	Indoor use Only
Humidity	85% non-condensing
Altitude	10,000 feet

Max Operating Parameters	
Input RF Power	5W Max total RF power
DC Voltage	24V Max
DC Current	MUXL1P-4104 is rated 7Amp on N-type, 5Amp on BNC and 3 Amp on SMA or F-type.

**!** Operation beyond these limits may cause instantaneous and permanent damage.

Physical Dimensions



Note : The specification is subject to regular reviews and will be updated from time to time as part of our continuing product development and improved spec accuracy.